

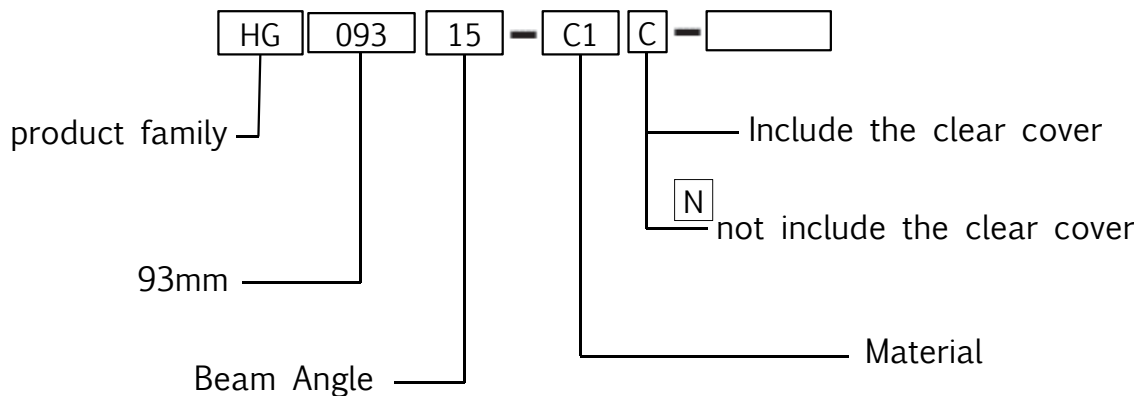
Optical Reflector for Bridgelux V13 / V15 / V18 COB



- Specially design for Bridgelux V13 / V15 / V18 series LEDs.
- Conform to the environmental protection standard RoHS.

Product Naming Guidelines

The part number is explained as follows: HG09315-C1C

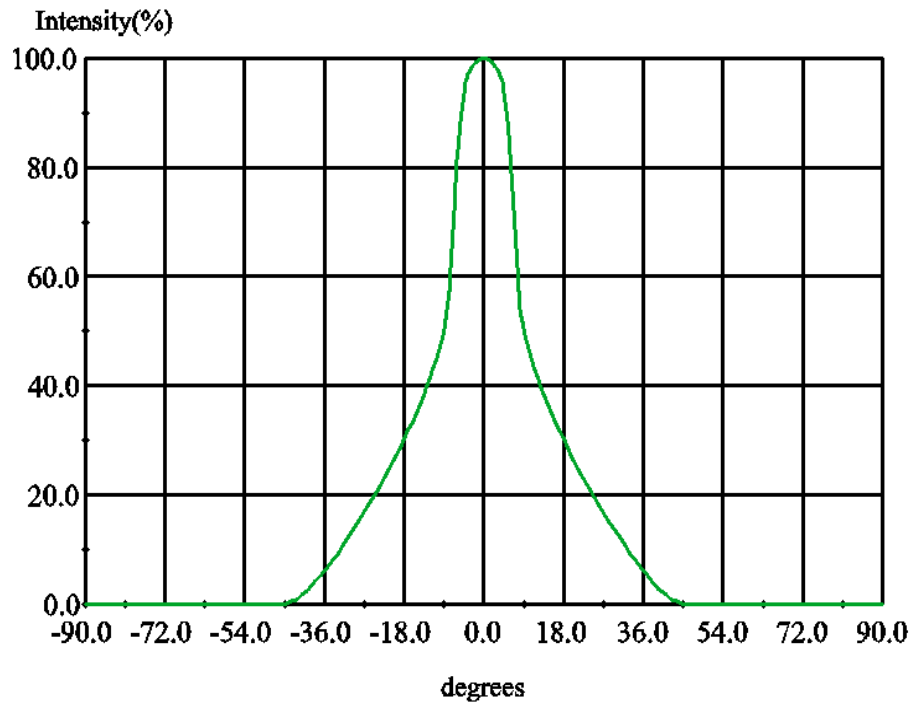


Reflector Types

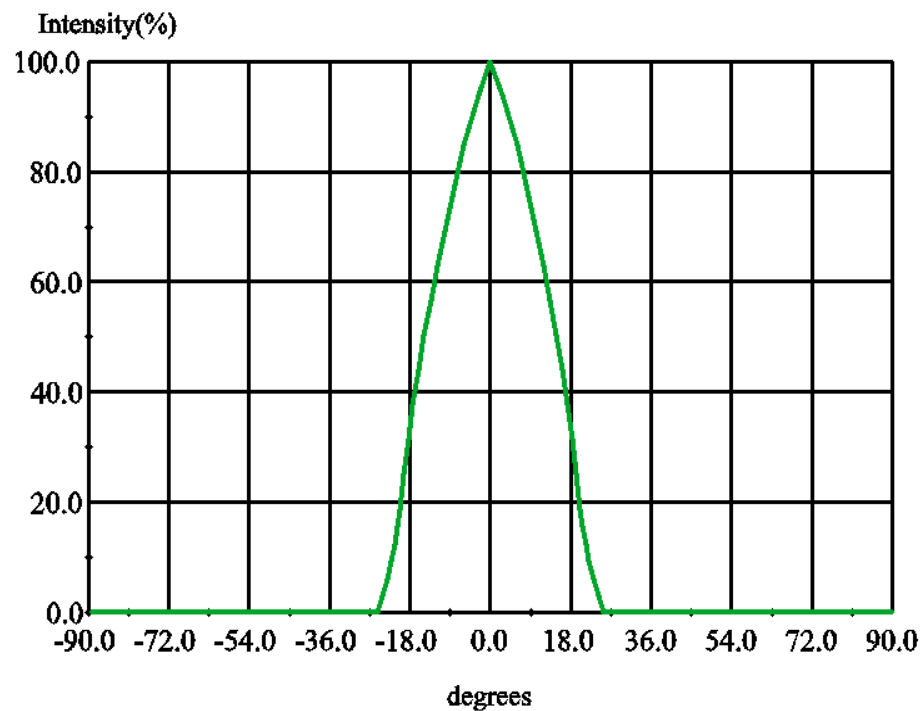
Order Code	FWHM	cd/lm	Holder
HG09315-C1C	±7.5	7.22	Without Holder
HG09324-C1C	±11	4.5	Without Holder
HG09338-C1C	±19	3.84	Without Holder

Measurements

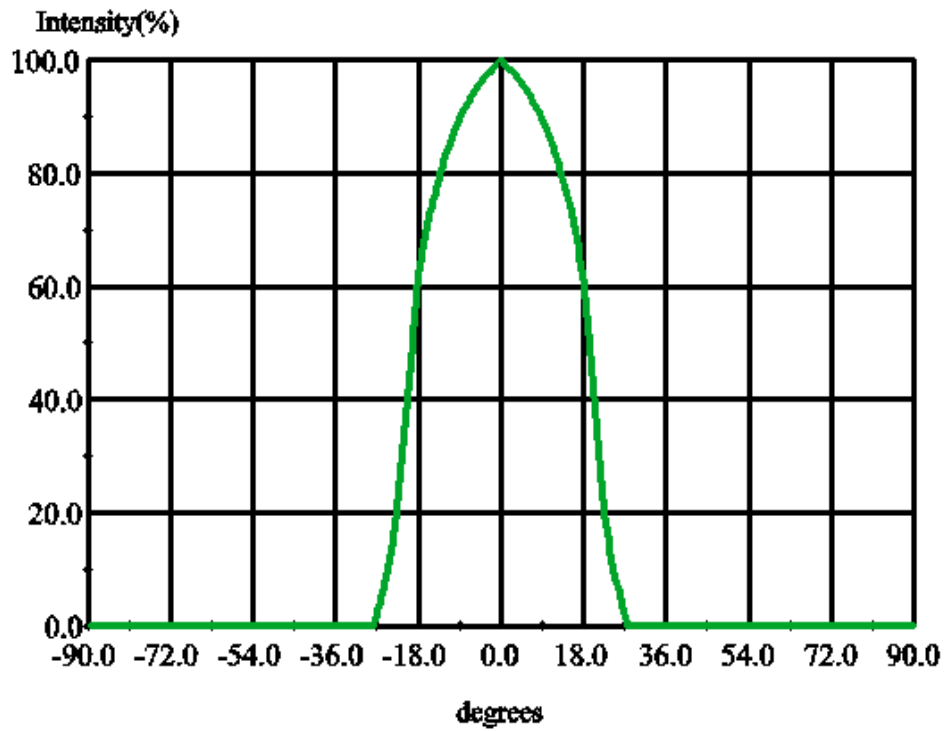
Relative Intensity of HG09315-C1C



Relative Intensity of HG09324-C1C



Relative Intensity of HG09338-C1C



Drawings

HG09315-C1C

HG09324-C1C

HG09338-C1C

