

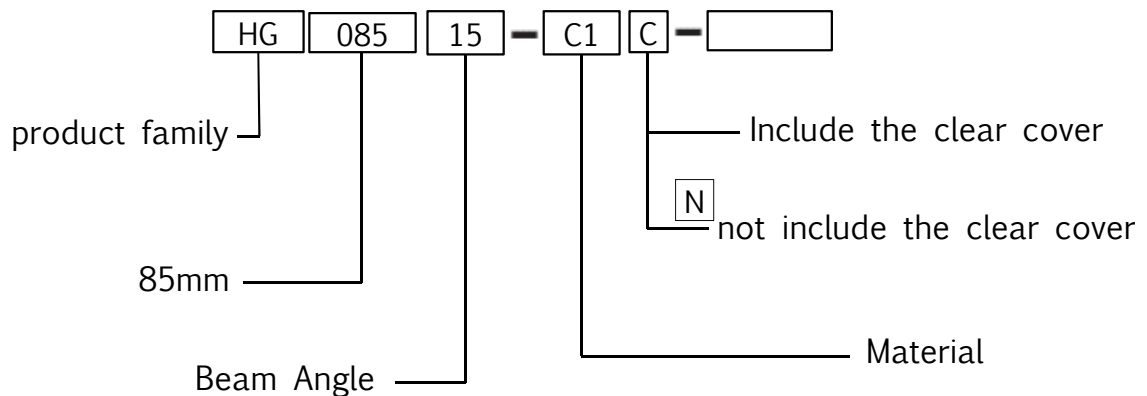
## Optical Reflector for Bridgelux V13 / V15 / V18 COB



- Specially design for Bridgelux V13 / V15 / V18 series LEDs.
- Conform to the environmental protection standard RoHS.

### Product Naming Guidelines

The part number is explained as follows: HG08515-C1C

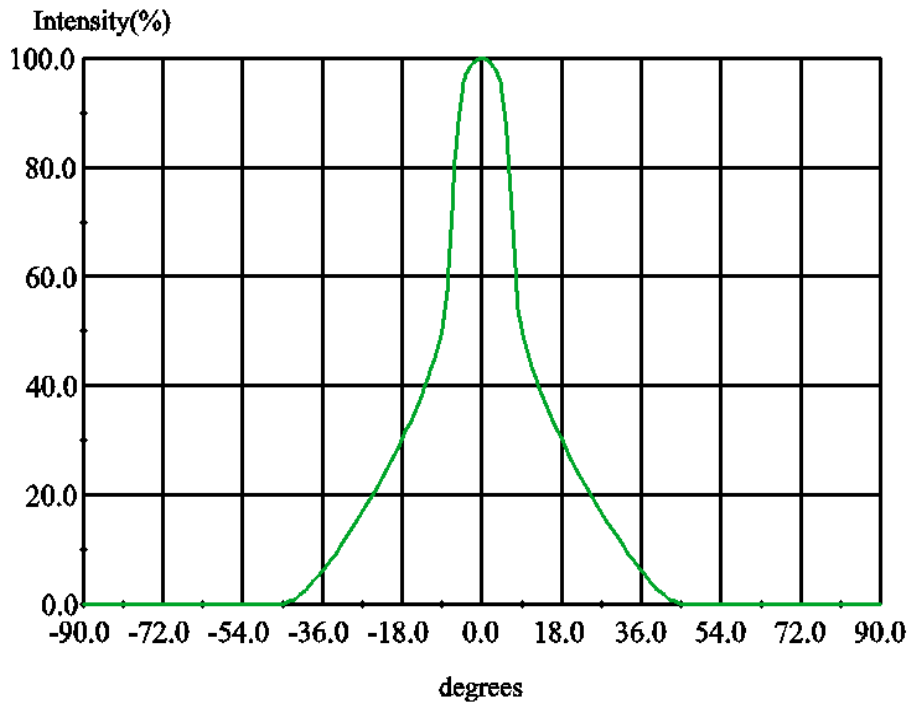


### Reflector Types

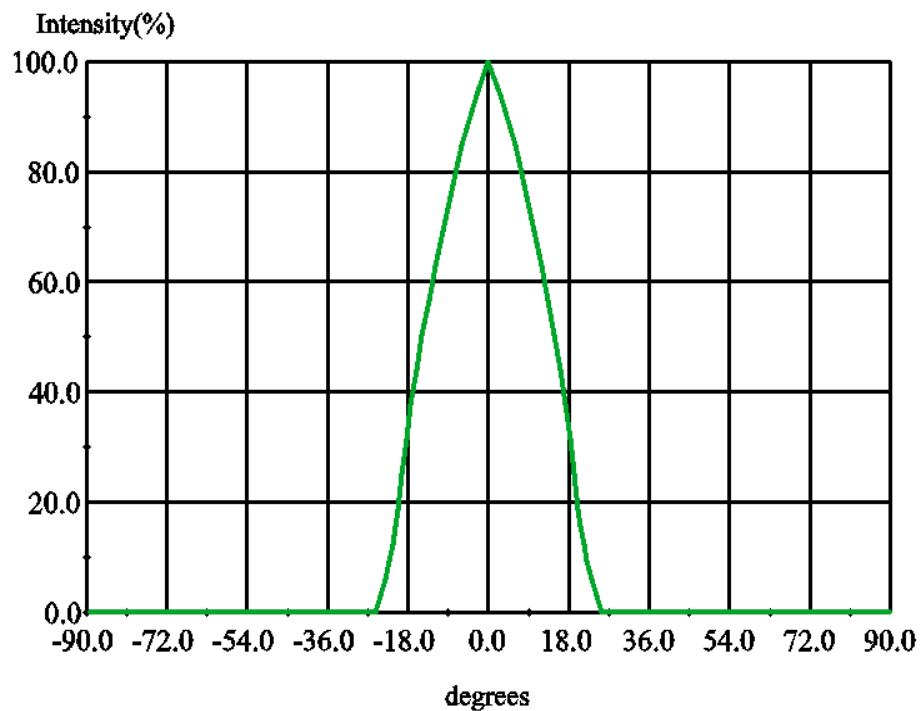
Order Code	FWHM	cd/lm	Holder
HG08515-C1C	±8	5.6	Without Holder
HG08525-C1C	±12	4.9	Without Holder
HG08538-C1C	±19	2.27	Without Holder

## Measurements

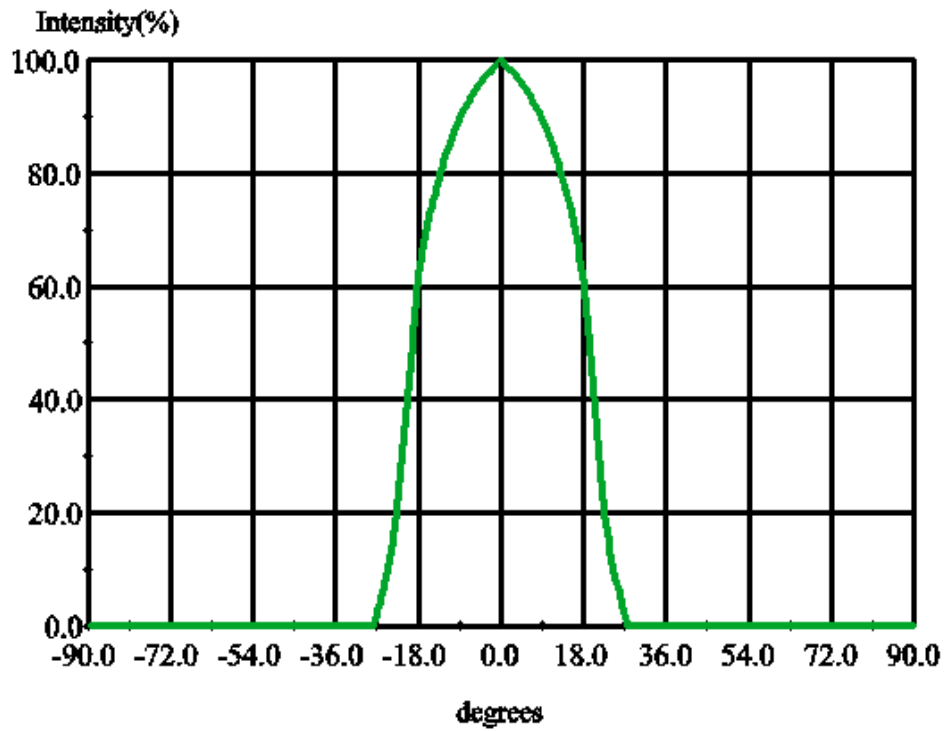
### Relative Intensity of HG08515-C1C



### Relative Intensity of HG08525-C1C



### Relative Intensity of HG08538-C1C



## Drawings

HG08515-C1C

HG08525-C1C

HG08538-C1C

