

Optosource

Optical Reflector for Bridgelux Vero 29 COB



- Specially design for Bridgelux Vero 29 series LEDs.
- Reflector material metallized PC, with high UV and temperature resistance.
- Small position pins, fastening to Vero orifice with droplets glue.

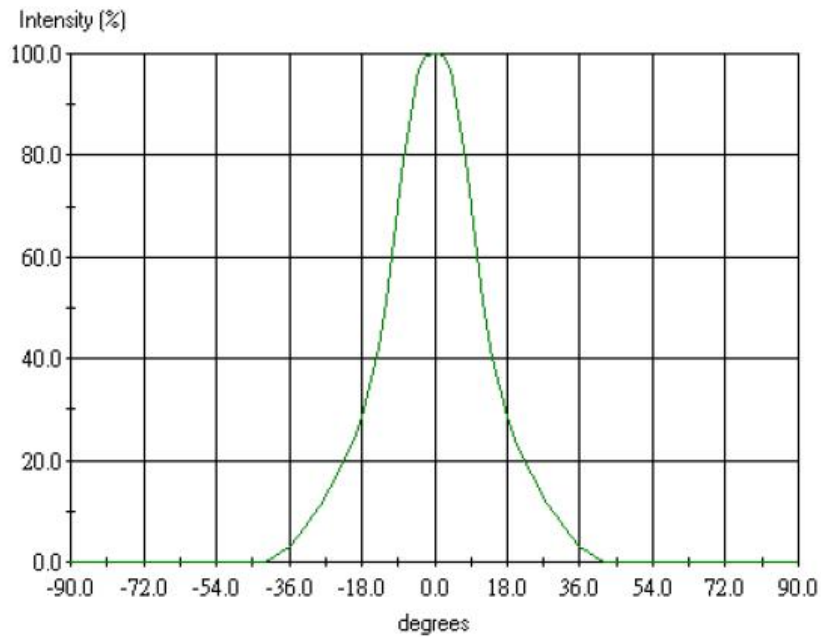
Reflector Types

Order Code	FWHM Angle	Cover	Holder
BR11018-C1C-BV29	± 12	With Clear Cover	Without Holder
BR11028-C1C-BV29	± 15	With Clear Cover	Without Holder
BR11040-C1C-BV29	± 21	With Clear Cover	Without Holder

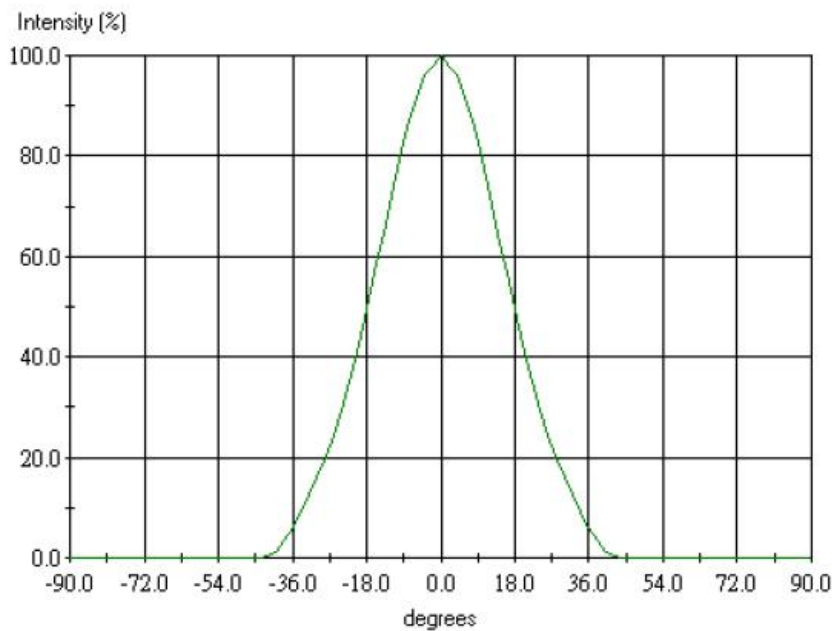
Optosource

Measurements

Relative Intensity of BR11018-C1C-BV29



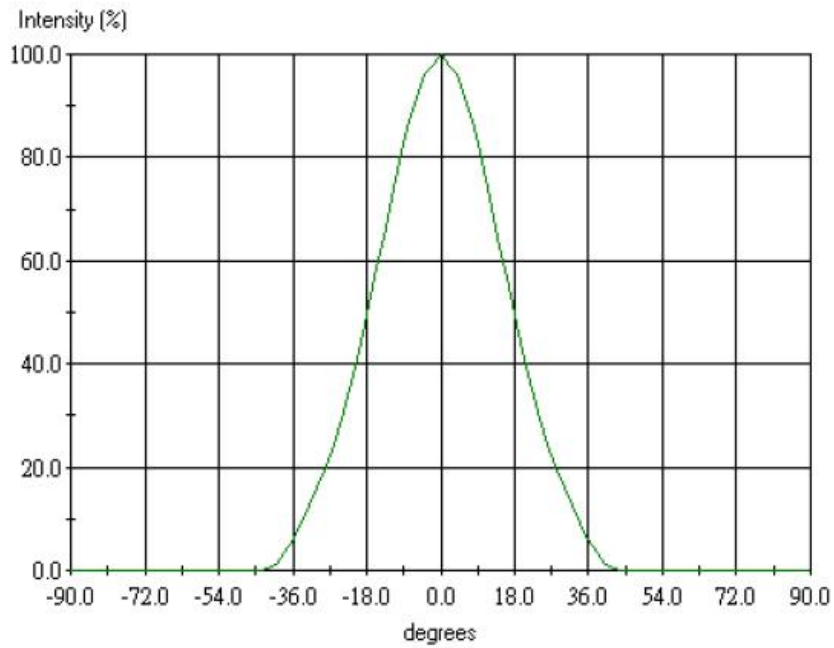
Relative Intensity of BR11028-C1C-BV29



Optosource

Measurements

Relative Intensity of BR11040-C1C-BV29

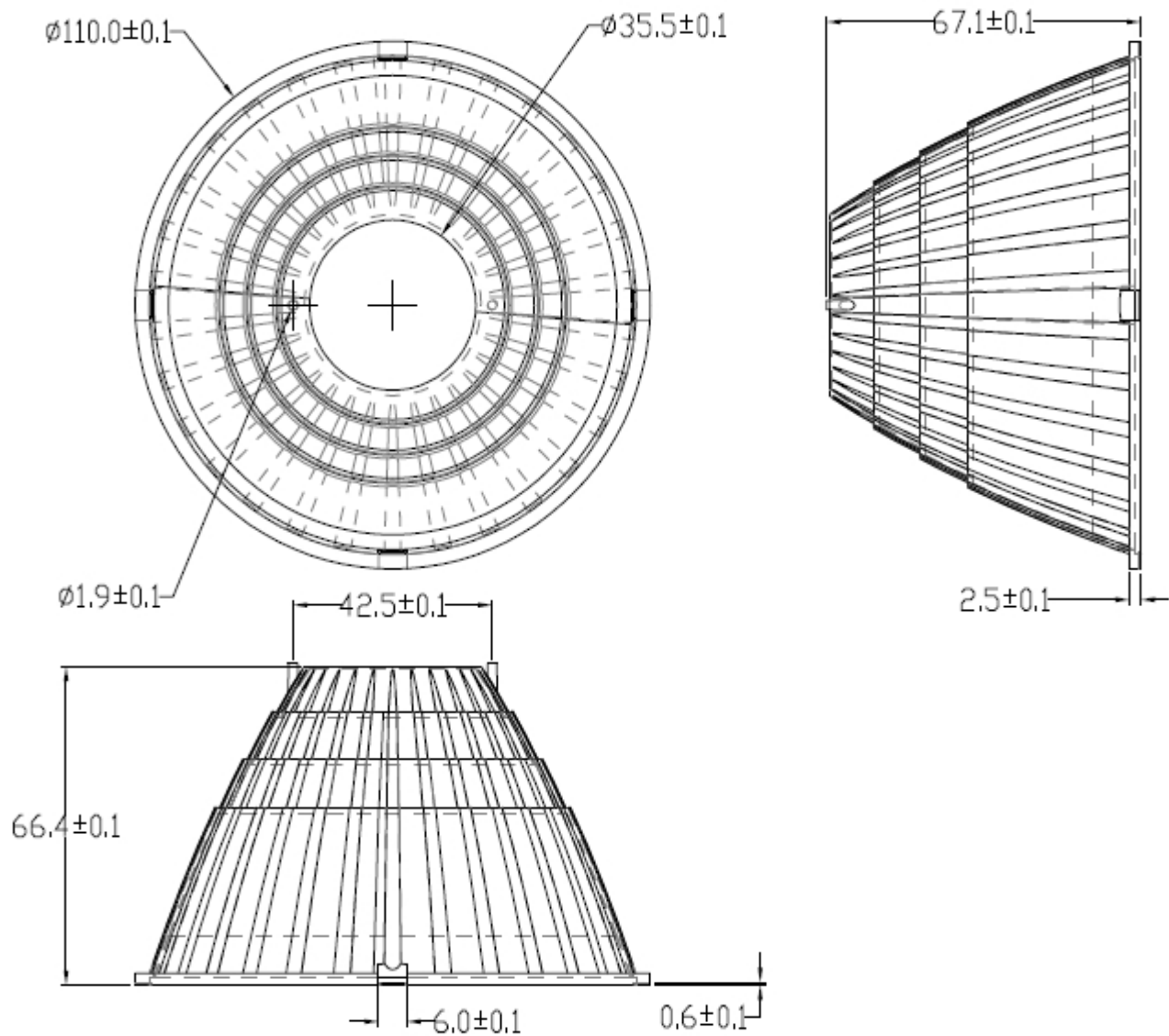


Optosource

Drawings

Reflector drawings

BR11018-C1C-BV29 BR11028-C1C-BV29 BR11040-C1C-BV29



Optosource

BRHVE29-P

