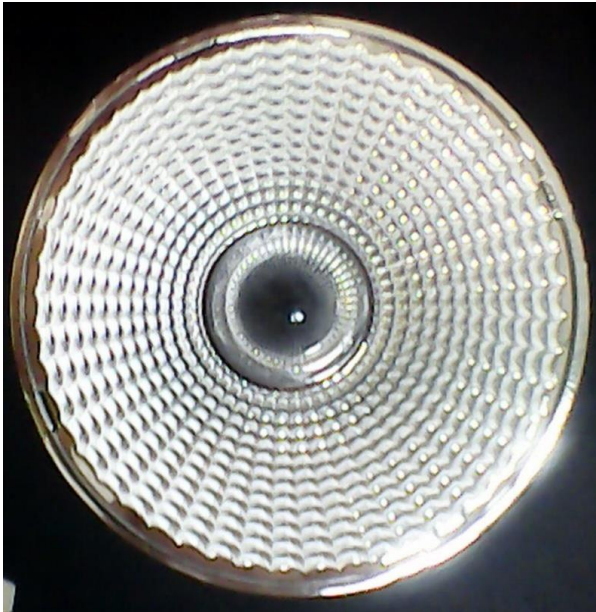


Optosource

Optical Reflector for Bridgelux Vero 13 COB



- Specially design for Bridgelux Vero 13 series LEDs.
- Reflector material metallized PC, with high UV and temperature resistance.
- Small position pins, fastening to Vero orifice with droplets glue.

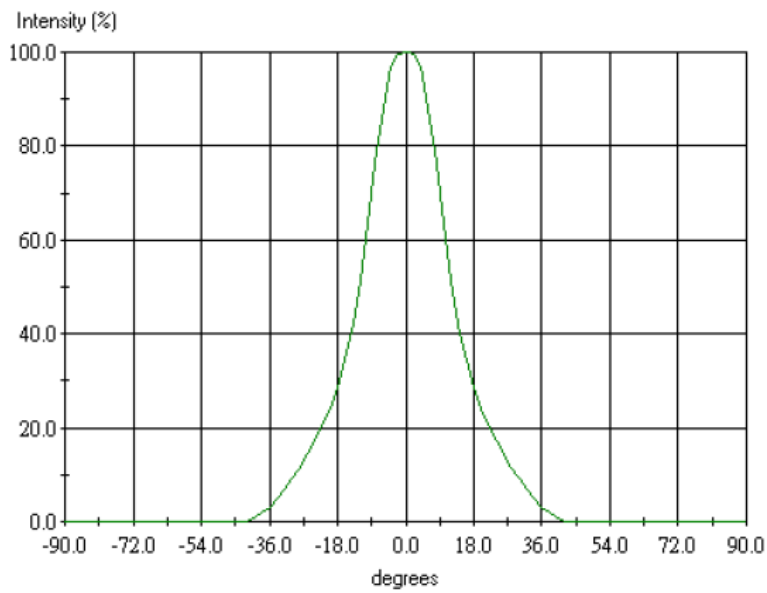
Reflector Types

Order Code	FWHM Angle	Cover	Holder
BR08520-C1C-BV13	±10	With Cleaar Cover	Without Holder
BR08540-C1C-BV13	±20	With Cleaar Cover	Without Holder
BR08560-C1C-BV1318	±30	With Cleaar Cover	Without Holder

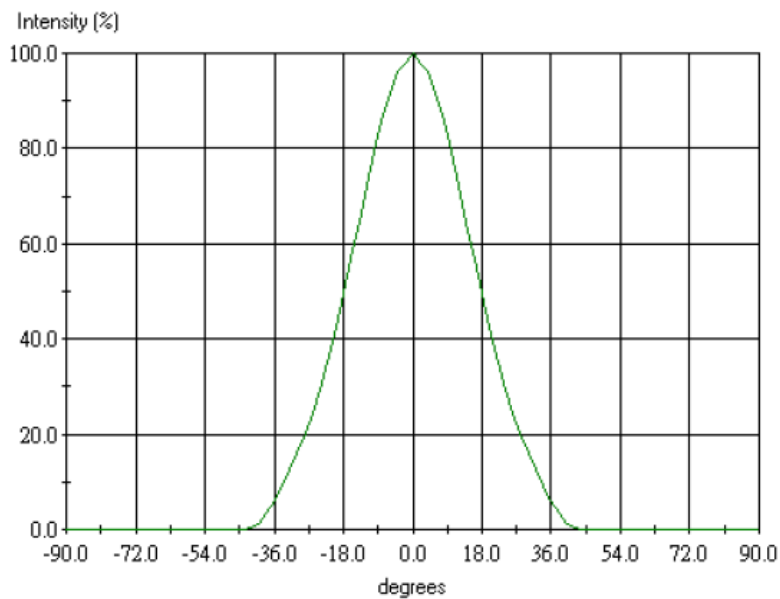
Optosource

Measurements

Relative Intensity of BR08520-C1C-BV13



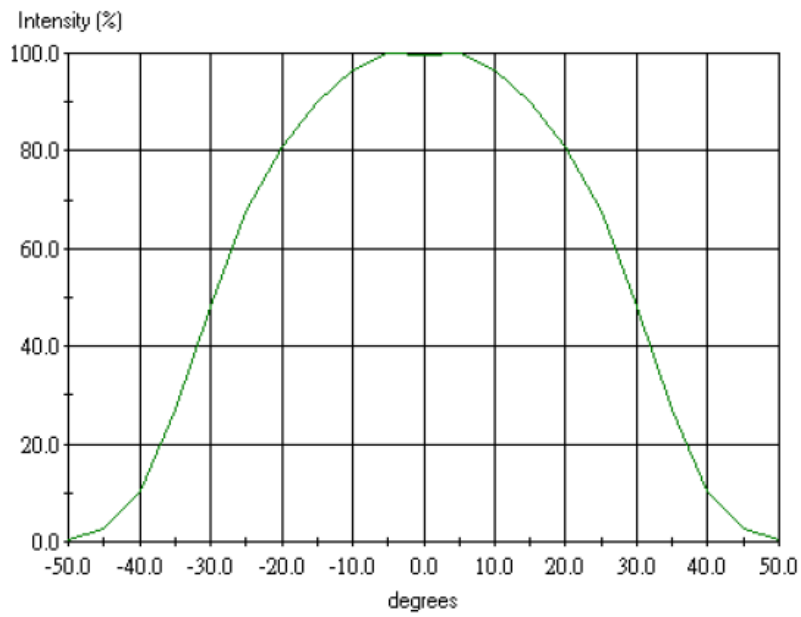
Relative Intensity of BR08540-C1C-BV13



Optosource

Measurements

Relative Intensity of BR08560-C1C-BV1318

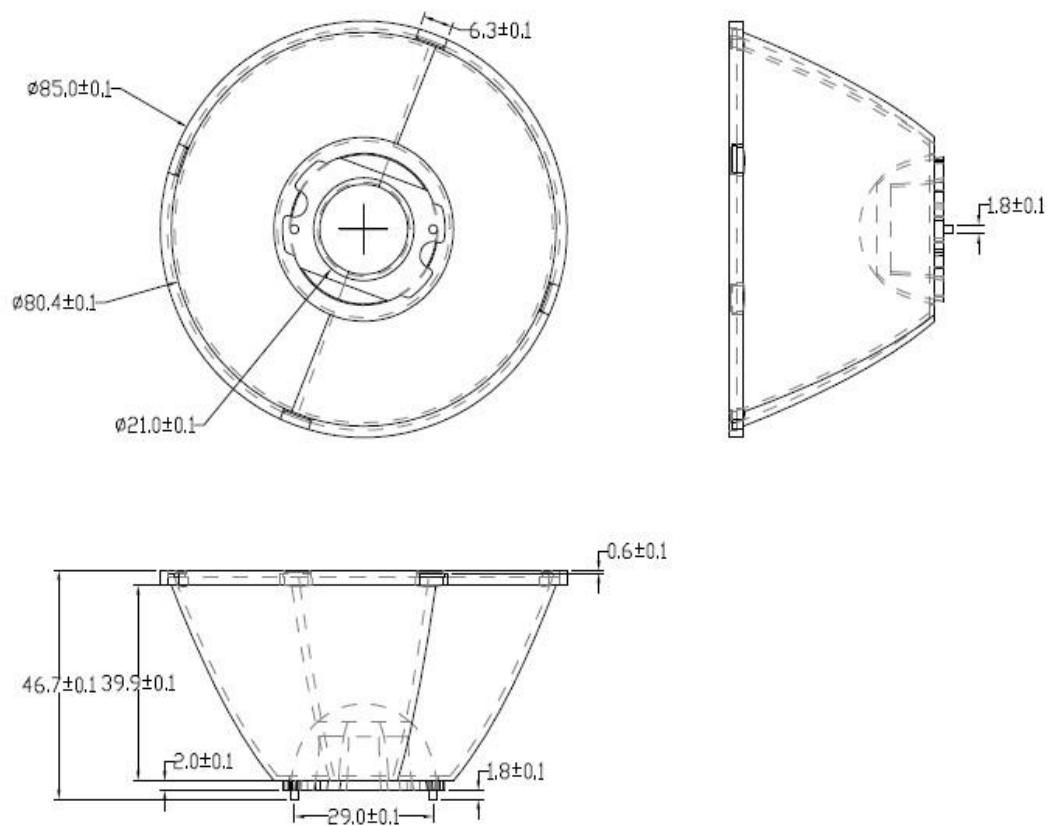


Optosource

Drawings

Reflector drawings

BR08520-C1C-BV13 / BR08540-C1C-BV13



Optosource

Drawings

BR08560-C1C-BV1318

